


Special Features

- CE Approved pressure transmitter
- Low cost
- Local display with 4 to 20 mA output for PLC/PID and data loggers
- Solid front case for safety

Application

- Pharmaceutical
- Oil
- Refrigeration
- HVAC & compressor industries

Specifications
Standard Version : 100 mm & 150 mm
Pressure transmitter

Input Pressure	:	Refer range table
Type	:	Gauge/Compound/Vacuum
System	:	2 Wire
Supply	:	24 VDC
Output	:	4-20 mA
Accuracy (20 °C)	:	≤ ± 0.5% FS (BFSL)*
Zero thermal drift	:	≤ ± 0.25% FS/10 K
Span thermal drift	:	≤ ± 0.15% FS/10 K
Ambient Temperature	:	0 to 50°C
Process Temperature	:	-25 to 80°C
Process Connection	:	Refer options
Electric Wiring	:	DIN connector
Response Time (10.....90%)	:	≤ 3 ms
Diaphragm	:	Ceramic (96% Al ₂ O ₃)
Sealing	:	NBR

*(Linearity, Hysteresis and Repeatability according to Best Fit Straight Line)

Pressure gauge (single scale only)

Accuracy	:	±1.0% of F.S.
Ambient temperature	:	- 25°C to + 65°C
Process temperature	:	-25 to 80°C
Operating pressure	:	75% of Scale Value
Mounting	:	Direct Bottom
Case & bezel	:	AISI 304 SS, Solid Front, Bayonet Type
Bourdon	:	AISI 316L SS
Socket	:	AISI 316L SS (Directly Welded to Case)
Movement	:	AISI 304 SS
Joints	:	Tig Argon Arc Welding
Protection	:	IP 65
Dial	:	Aluminum, black graduation on white background
Pointer	:	Aluminum, black coloured micrometer zero adjustable
Window	:	Shatterproof / Safety Glass
Blow off Disc	:	AISI 304 SS
Gasket & 'O' ring	:	Neoprene
Vent Plug	:	EPDM

Temperature effect :

The variation of indication caused by effects of temperature is to be calculated by below formula; which is to be added in the specified accuracy while measurement :- Formula : ± 0.04 x (t₂ - t₁) % of F. S. where t₁ = reference temp. (+20°C) and t₂ = ambient temp. in °C.

Range Table

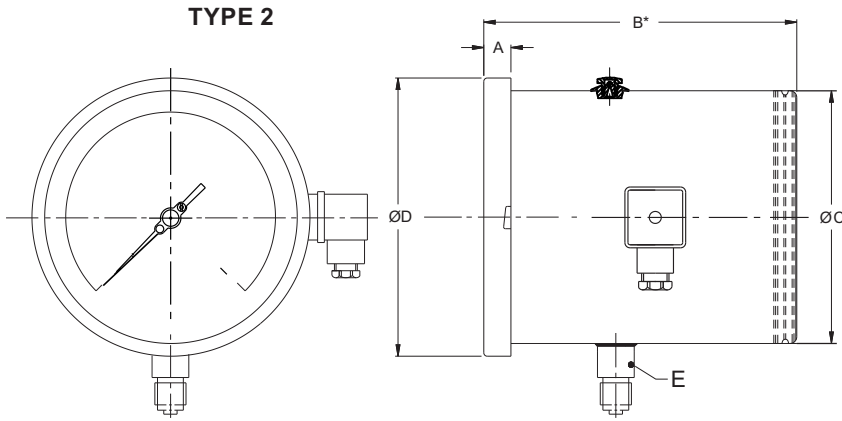
 We offers National/International scale like kPa, MPa, bar, psi, kg/cm² etc in single scale only.

The range of Pressure Transmitter shall be equivalent to Pressure Gauge Scale.

Following is the range selection table for pressure transmitter in bar.

Gauge			Compound		Vacuum
0/2.5	0/16	0/100	-1/1.5	-1/15	-1/0*
0/4	0/25	0/160	-1/3	-1/24	
0/6	0/40	0/200	-1/5		
0/10	0/60		-1/9		

*0 bar = 4 mA, -1 bar = 20 mA

Range Table


NS	A	B*	ØC	ØD	E	Weight in gram (With Box)
100	12.5	90±5	100	111	A/F 22	1150.0
150	15	90±5	149	161	A/F 22	1450.0

* This dimension will be according to Pressure Transmitter Size.

- Notes :**
- Drawings are not to scale.
 - All Dimensions are in mm.
 - NS = Nominal Size

How To Order
Example
Basic Model
Code
Nominal Size
F
H

100 mm

150 mm

Type of Mounting
2 Direct bottom entry

Range

Refer range table

Process connection
4BM ½" BSP(M) (Standard)

4NM ½" NPT(M) (Standard)

4TM ½" BSPT(M) (Standard)

Optional extras
RH Custom designed dial

PW Five point calibration certificate

GH Material test certificates*

SX SS tag plate

SW Dial tag marking

TB Helium leak test

BT

X

X

0/10 bar

XXX

XX

* Material test certificates will be provided for wetted parts only with chemical composition testing. For others, please consult factory.

Ordering Example: BT . X . X . 0/10 bar . XXX . XX

Any additional requirements like logo on dial, colors of dial, process connection, etc, please refer to factory.

Note : Specifications and dimensions given in this product catalogue represents the state of engineering at the time of printing.

Modifications may take place and materials specified may be replaced by others without prior notice.